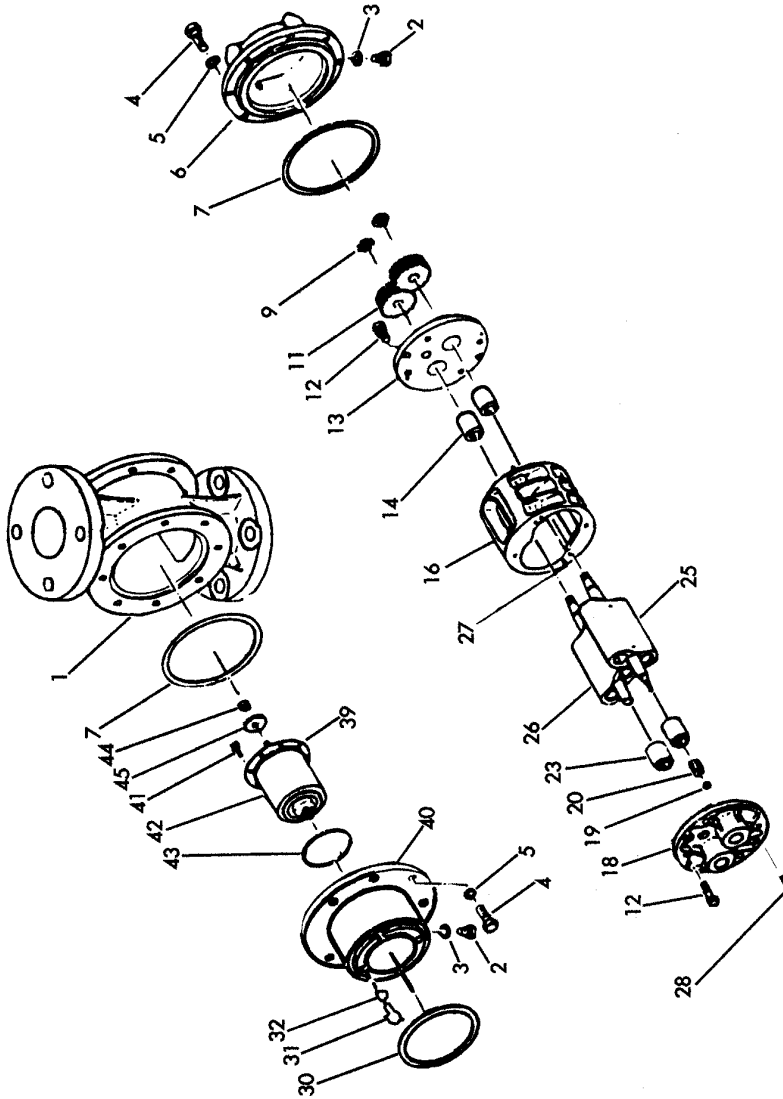


**"PETROL" PD FLOWMETER DOUBLE CASE TYPE  
MODELS 51 - 11 (EXPLODED VIEW DRAWING)**



ITEM	Description	Qty	Remarks
45	MAGNETIC COUPLING GEAR	1	
44	LOCK NUT, TRANSMISSION	1	
43	GASKET, TRANSMISSION	1	
42	MAGNETIC COUPLING ASS'Y	1	
41	BOLT TRANSMISSION	8	
40	FRONT COVER	1	
39	FLANGE, MAGNETIC TRANSMISSION	1	
32	SPRING WASHER, COUNTER	4	
31	BOLT, COUNTER	4	
30	GASKET, COUNTER	1	
28	PIN, FRONT END PLATE	1	
27	PIN, INNER BODY	4	
26	ROOTS ASS'Y	1	
25	ROOTS ASS'Y	1	
23	BEARING, FRONT	2	
20	ROTOR GEAR	1	
19	LOCK NUT, TRANSMISSION	1	
18	FRONT END PLATE	1	
16	INNER BODY	1	
14	BEARING, REAR	2	
13	REAR END PLATE	1	
12	BOLT, INNER HOUSING	8	
11	DRIVING GEAR	2	
9	LOCK NUT, SHAFTS	2	
7	GASKET BODY	2	
6	REAR COVER	1	
5	SPRING WASHER, COVER	8	
4	BOLT COVER	8	
3	GASKET, DRAIN	4	
2	PLUG, DRAIN	4	
1	OUTER BODY	1	

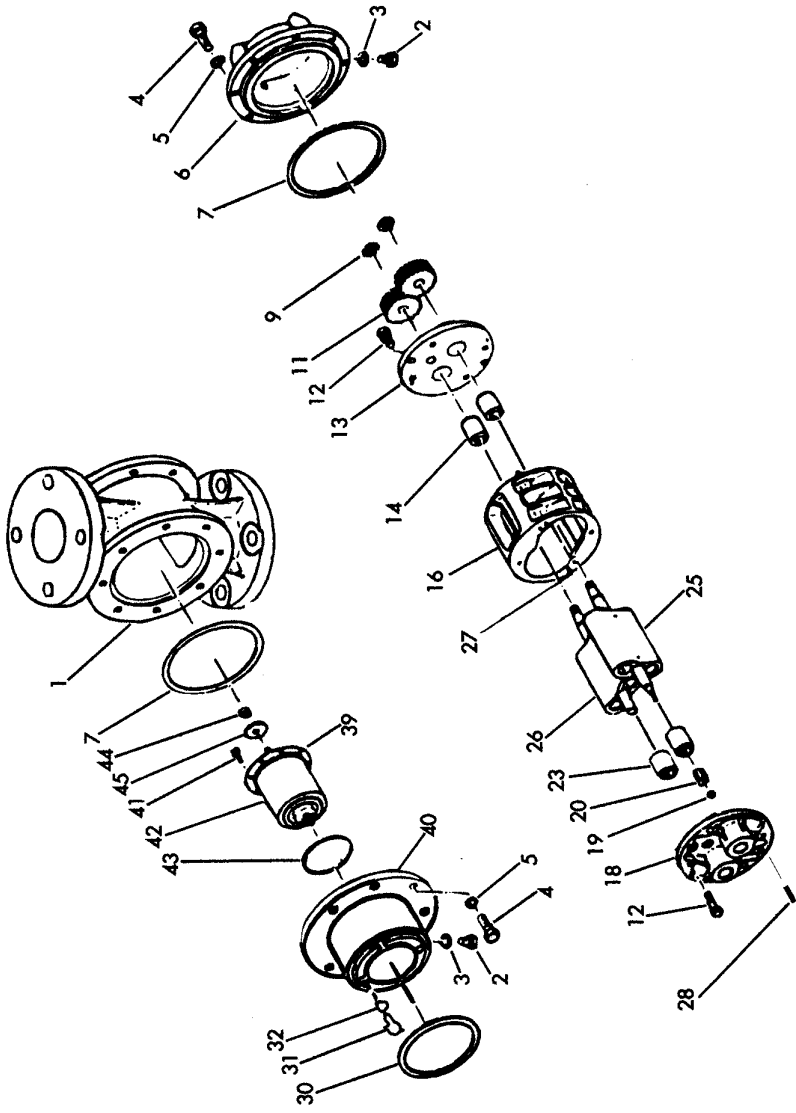


**PETROL INSTRUMENTS S.r.l.**  
 Via del Commercio, n. 22 - 04011 Aprilia (LT) - ITALY  
 Phone +39-06-9201.941 a.r. - Fax +39-06-9201.9446  
<http://www.petrol-instruments.com>  
 e-mail: [info@petrol-instruments.com](mailto:info@petrol-instruments.com)

Mod.	Tag
Customer	Order
DRN	APP
Date	Estimate
Tag	Our ref.
	Job
	Drawing n. <b>M-M 002/</b>
	Sheet di

Revisions	0	1	2	3	4
Date					

**"PETROL" PD FLOWMETER DOUBLE CASE TYPE  
MODELS 12 - 22 (EXPLODED VIEW DRAWING)**



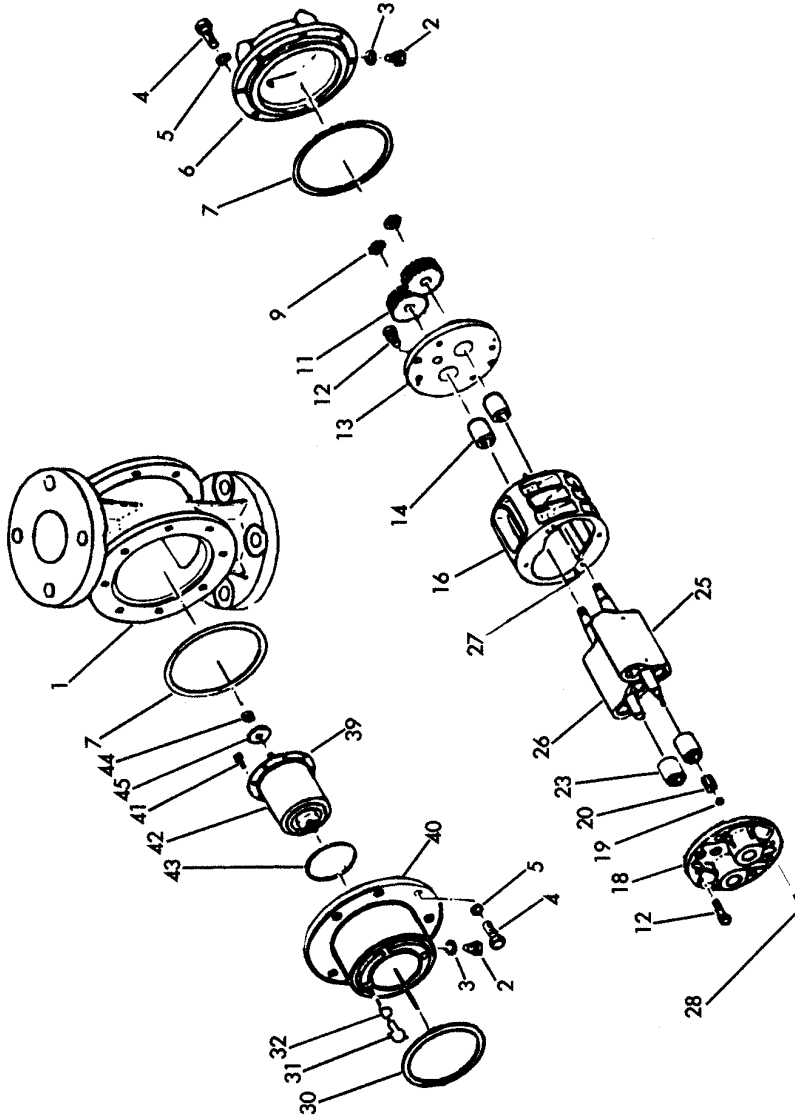
ITEM	Description	Qty	Remarks
45	MAGNETIC COUPLING GEAR	1	
44	LOCK NUT, TRANSMISSION	1	
43	GASKET, TRANSMISSION	1	
42	MAGNETIC COUPLING ASS'Y	8	
41	BOLT TRANSMISSION	1	
40	FRONT COVER	1	
39	FLANGE, MAGNETIC TRANSMISSION	1	
32	SPRING WASHER, COUNTER	4	
31	BOLT COUNTER	4	
30	GASKET, COUNTER	1	
28	PIN, FRONT END PLATE	1	
27	PIN, INNER BODY	4	
26	ROOTS ASS'Y	1	
25	ROOTS ASS'Y	1	
23	BEARING, FRONT	2	
20	TRANSMISSION GEAR	1	
19	LOCK NUT, TRANSMISSION	1	
18	FRONT END PLATE	1	
17	INNER BODY	1	
14	BEARING, REAR	2	
13	REAR END PLATE	1	
12	BOLT, INNER HOUSING	8	
11	DRIVING GEAR	2	
9	LOCK NUT, SHAFTS	2	
7	GASKET BODY	2	
6	REAR COVER	1	
5	SPRING WASHER, COVER	16	
4	BOLT COVER	16	
3	GASKET, DRAIN	4	
2	PLUG, DRAIN	4	
1	OUTER BODY	1	

**PETROL**  
PETROL INSTRUMENTS S.r.l.  
Via del Commercio, n. 22 - 04011 Aprilia (LT) - ITALY  
Phone +39-06-9201.941 a.r. - Fax +39-06-9201.9446  
<http://www.petrol-instruments.com>  
e-mail: [info@petrol-instruments.com](mailto:info@petrol-instruments.com)

Mod.		Tag	
Customer		Order	
DRN	APP	Estimate	Job
Revisions	0 1 2 3 4	Date	Drawing n°
Date	Tag	Our ref.	Sheet di

**M-M 002/**

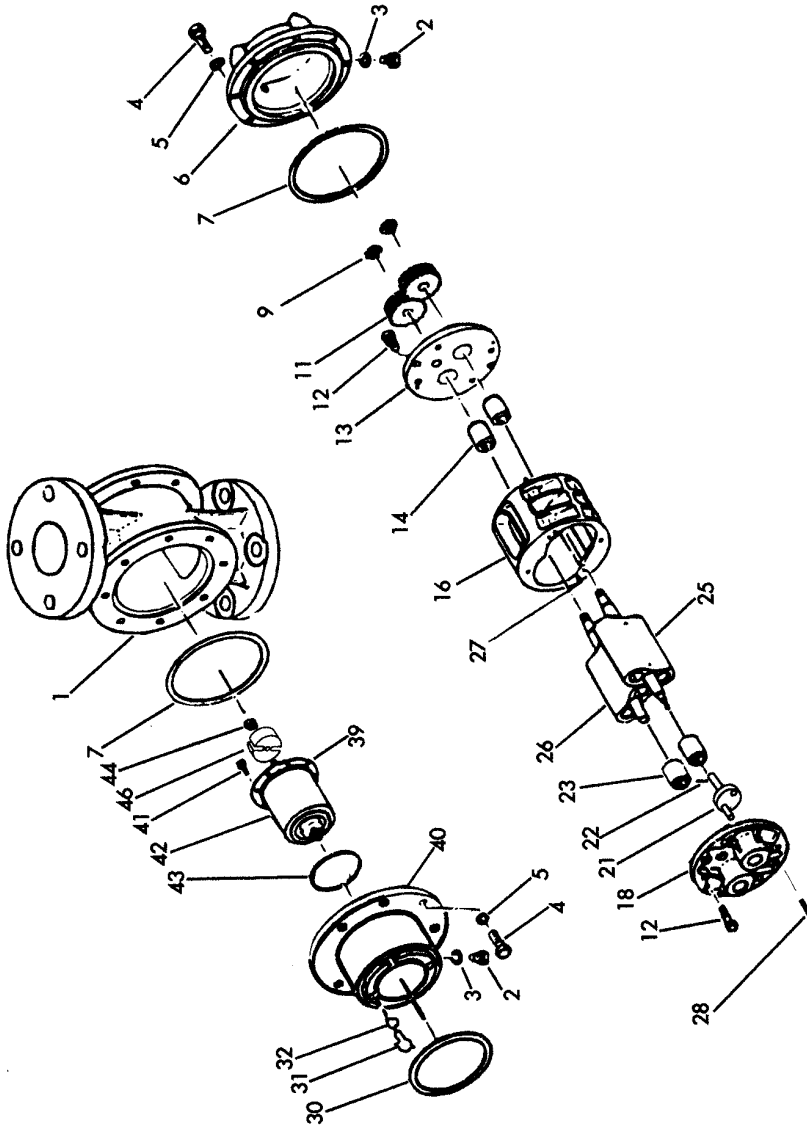
**"PETROL" PD FLOWMETER DOUBLE CASE TYPE  
 (MODELS 53-13 EXPLODED VIEW DRAWING)**



ITEM	Description	Qty	Revisions	Date	Remarks
45	MAGNETIC COUPLING GEAR	1			
44	LOCK NUT, TRANSMISSION	1			
43	GASKET, TRANSMISSION	1			
42	MAGNETIC COUPLING ASS'Y	1			
41	BOLT TRANSMISSION	8			
40	FRONT COVER	1			
39	FLANGE, MAGNETIC TRANSMISSION	1			
32	SPRING WASHER, COUNTER	4			
31	BOLT COUNTER	4			
30	GASKET COUNTER	1			
28	PIN, FRONT END PLATE	1			
27	PIN, INNER BODY	4			
26	ROOTS ASS'Y	1			
25	ROOTS ASS'Y	1			
23	BEARING, FRONT	2			
20	TRANSMISSION GEAR	1			
19	LOCK NUT, TRANSMISSION	1			
18	FRONT END PLATE	1			
16	INNER BODY	1			
14	BEARING, REAR	2			
13	REAR END PLATE	1			
12	BOLT, INNER HOUSING	8			
11	DRIVING GEAR	2			
9	LOCK NUT, SHAFTS	2			
7	GASKET BODY	2			
6	REAR COVER	1			
5	SPRING WASHER, COVER	16			
4	BOLT COVER	16			
3	GASKET, DRAIN	4			
2	PLUG, DRAIN	4			
1	OUTER BODY	1			

<p><b>PETROL INSTRUMENTS S.r.l.</b>                  Via del Commercio, n. 22 - 04011 Aprilia (LT) - ITALY                  Phone +39-06-9201.941 a.r. - Fax +39-06-9201.9446                  http://www.petrol-instruments.com                  e-mail: info@petrol-instruments.com</p>		Mod.	Tag
		Customer	Job
Revisions	0 1 2 3 4	DRN	APP
Date		Estimate	Drawing n. <b>M-M 002/</b>
		Our ref.	Sheet di

**"PETROL" PD FLOWMETER DOUBLE CASE TYPE  
MODELS 14 - 24 (EXPLODED VIEW DRAWING)**



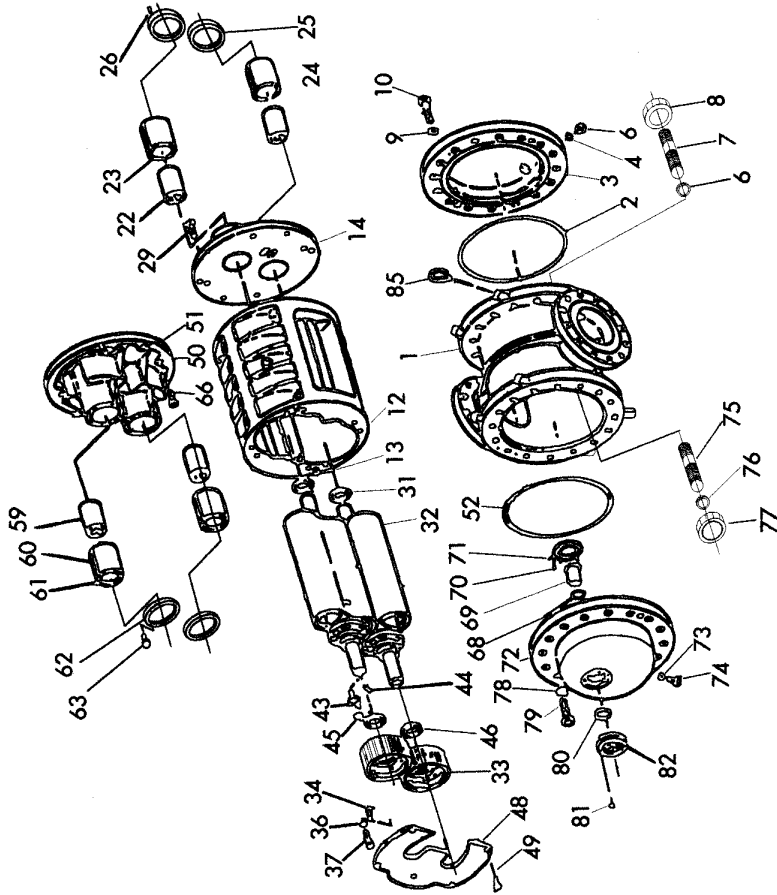
ITEM	Description	Qty	Remarks
46	COUPLING, DRIVEN	1	
44	LOCK NUT, TRANSMISSION	1	
43	GASKET, TRANSMISSION	1	
42	MAGNETIC COUPLING ASS'Y	1	
41	BOLT, TRANSMISSION	8	
40	FRONT COVER	1	
39	FLANGE, MAGNETIC TRANSMISSION	1	
32	SPRING WASHER, COUNTER	4	
31	BOLT, COUNTER	4	
30	GASKET, COUNTER	1	
28	PIN, FRONT END PLATE	1	
27	PIN, INNER HOUSING	4	
26	ROOTS ASS'Y	1	
25	ROOTS ASS'Y	1	
23	BEARING, FRONT	2	
22	PIN	1	
21	COUPLING ASS'Y	1	
18	FRONT END PLATE	1	
16	INNER BODY	1	
14	BEARING, REAR	2	
13	REAR END PLATE	1	
12	BOLT, INNER HOUSING	8	
11	DRIVING GEAR	2	
9	LOCK NUT, SHAFTS	2	
7	GASKET, BODY	2	
6	REAR COVER	1	
5	SPRING WASHER, COVER	16	
4	BOLT, COVER	16	
3	GASKET, DRAIN	4	
2	PLUG, DRAIN	4	
1	OUTER BODY	1	

**PETROL**  
PETROL INSTRUMENTS S.r.l.

Via del Commercio, n. 22 - 04011 Aprilia (LT) - ITALY  
Phone +39-06-9201.941 a.r. - Fax +39-06-9201.9446  
<http://www.petrol-instruments.com>  
e-mail: [info@petrol-instruments.com](mailto:info@petrol-instruments.com)

Customer	Order	Job	
DRN	APP	Estimate	Drawing n°
Date	Tag	Our ref.	M-M 002/
Revisions	0	1	2
Date			3
			4
			Sheet
			di

**"PETROL" PD FLOWMETER DOUBLE CASE TYPE  
MODELS 16-18-28 (EXPLODED VIEW DRAWING)**



ITEM	Description	Qty	Remarks
85	EYE BOLT	4	
82	ADAPTOR, COUNTER	1	
81	BOLT, COUNTER BASE	6	
80	GASKET, COUNTER BASE	1	
79	BOLT, COVER	16	
78	SPRING WASHER, COVER	16	
77	NUT, STUD	2	
76	SPRING WASHER, STUD	2	
75	STUD, FRONT COVER	2	
74	PLUG DRAIN	2	
73	GASKET DRAIN	2	
72	FRONT COVER	1	
71	RETAINER, MAGNETIC COUPLING	1	
70	BOLT, MAGNETIC COUPLING	8	
69	MAGNETIC COUPLING ASS'Y	1	
68	GASKET, MAGNETIC COUPLING	1	
66	BOLT, INNER HOUSING	4	
63	BOLT, RETAINER	8	
62	RETAINER, BEARING	2	
61	PIN, FRONT BEARING	4	
60	BUSH, FRONT BEARING	4	
59	BEARING, FRONT	2	
52	GASKET BODY	1	
51	PIN, INNER HOUSING	1	
50	FRONT END PLATE	1	
49	BOLT, SIDE PLATE	5	
48	SIDE PLATE	1	
46	SIDE RING, FRONT	2	
45	COUPLING, DRIVER	1	
44	DOWEL COUPLING, DRIVING	1	
43	COUPLING, DRIVING	1	
37	BOLT, TIMING GEAR	16	
36	SPRING WASHER, TIMING GEAR	16	
34	KNOCK PIN, TIMING GEAR	2	
33	TIMING GEAR	2	
32	ROOTS ASS'Y	1	
31	SIDE RING, REAR	2	
30	ROOTA ASS'Y	1	
29	BOLT, INNER HOUSING	4	
26	BOLT, RETAINER	8	
25	RETAINER BEARING	2	
24	PIN, REAR BEARING	4	
23	BUSH, REAR BEARING	2	
22	BEARING, REAR	2	
14	REAR END PLATE	1	
13	PIN, INNER HOUSING	4	
12	INNER BODY	1	
10	BOLT, COVER	16	
9	SPRING WASHER, COVER	16	
8	NUT, STUD	2	
7	SPRING WASHER, STUD	2	
6	STUD REAR COVER	2	
5	PLUG DRAIN	2	
4	GASKET, DRAIN	2	
3	REAR COVER	1	
2	GASKET, BODY	1	
1	DUTER BODY	1	

**PETROL**<sup>®</sup>

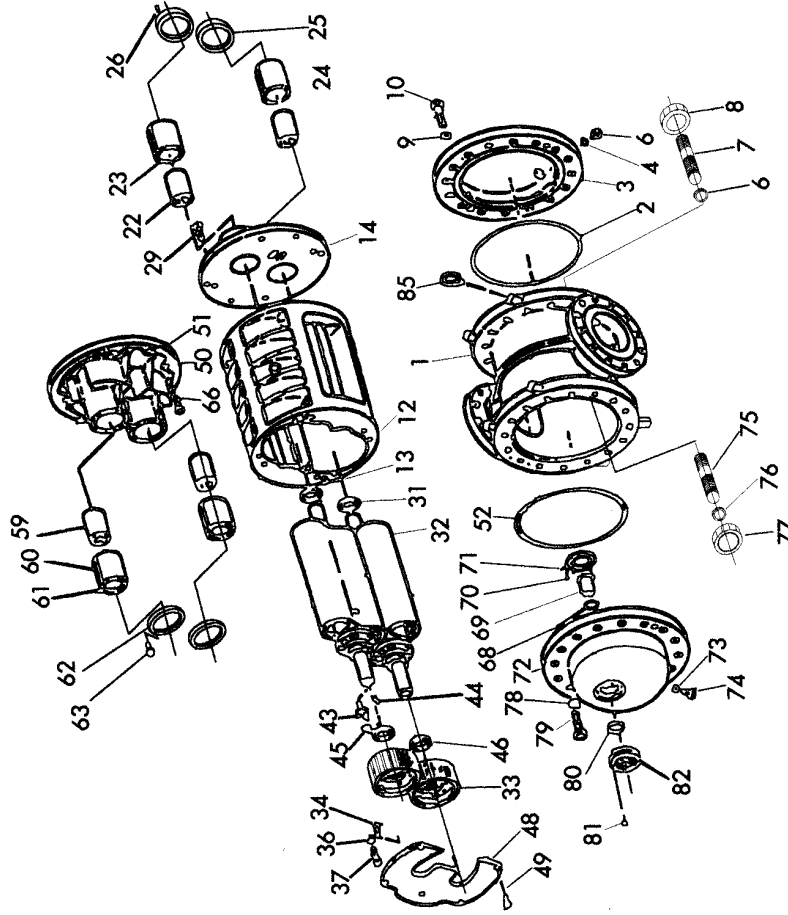
PETROL INSTRUMENTS S.r.l.

Via del Commercio, n. 22 - 04011 Aprilia (LT) - ITALY  
Phone +39-06-9201.941 a.r. - Fax +39-06-9201.9446  
<http://www.petrol-instruments.com>  
e-mail: [info@petrol-instruments.com](mailto:info@petrol-instruments.com)


Revisions	0	1	2	3	4
Date					

Customer	Order	Job
DRN	APP	Estimate
		Drawing n. <b>M-M 004/</b>
Tag		Sheet di

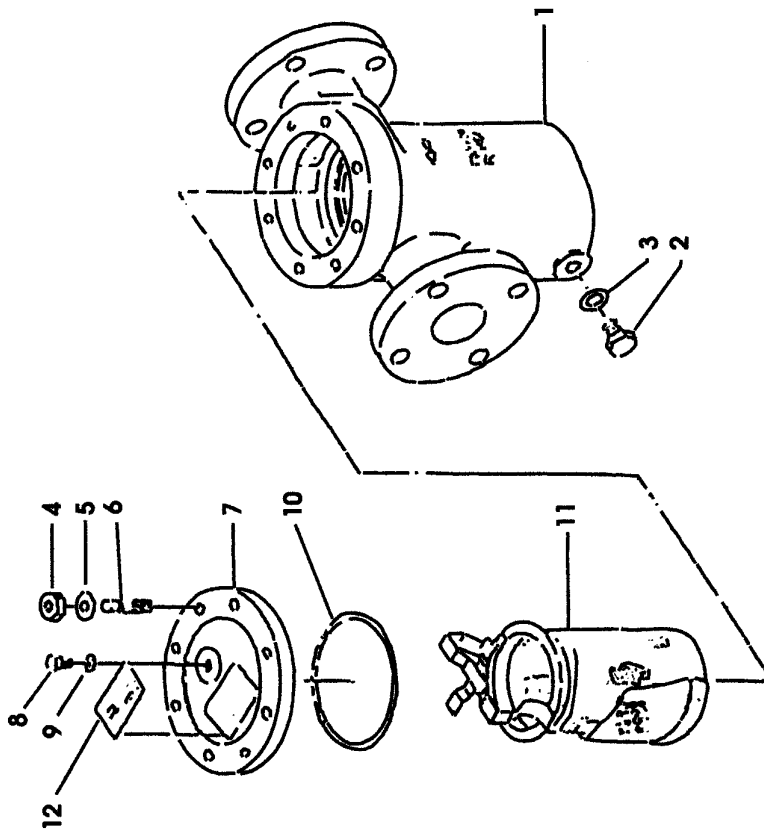
**"PETROL" PD FLOWMETER DOUBLE CASE TYPE  
MODELS 16-18-28 (EXPLODED VIEW DRAWING)**



ITEM	Description	Qty	Remarks
85	EYE BOLT	4	
82	ADAPTOR, COUNTER	1	
81	BOLT, COUNTER BASE	6	
80	GASKET, COUNTER BASE	1	
79	BOLT COVER	16	
78	SPRING WASHER, COVER	16	
77	NUT, STUD	2	
76	SPRING WASHER, STUD	2	
75	STUD, FRONT COVER	2	
74	PLUG DRAIN	2	
73	GASKET DRAIN	2	
72	FRONT COVER	1	
71	RETAINER, MAGNETIC COUPLING	1	
70	BOLT, MAGNETIC COUPLING	8	
69	MAGNETIC COUPLING ASS'Y	1	
68	GASKET, MAGNETIC COUPLING	1	
66	BOLT, INNER HOUSING	4	
63	BOLT, RETAINER	8	
62	RETAINER, BEARING	2	
61	PIN, FRONT BEARING	4	
60	BUSH, FRONT BEARING	2	
59	BEARING, FRONT	2	
52	GASKET BODY	1	
51	PIN, INNER HOUSING	1	
50	FRONT END PLATE	1	
49	BOLT, SIDE PLATE	5	
48	SIDE PLATE	1	
46	SIDE RING, FRONT	2	
45	COUPLING, DRIVER	1	
44	DOWEL COUPLING, DRIVING	1	
43	COUPLING, DRIVING	1	
37	BOLT, TIMING GEAR	16	
36	SPRING WASHER, TIMING GEAR	16	
34	KNOCK PIN, TIMING GEAR	2	
33	TIMING GEAR	2	
32	ROOTS ASS'Y	1	
31	SIDE RING, REAR	2	
30	ROOTA ASS'Y	1	
29	BOLT, INNER HOUSING	4	
26	BOLT, RETAINER	8	
25	RETAINER BEARING	2	
24	PIN, REAR BEARING	4	
23	BUSH, REAR BEARING	2	
22	BEARING, REAR	2	
14	REAR END PLATE	1	
13	PIN, INNER HOUSING	4	
12	INNER BODY	1	
10	BOLT, COVER	16	
9	SPRING WASHER, COVER	16	
8	NUT, STUD	2	
7	SPRING WASHER, STUD	2	
6	STUD REAR COVER	2	
5	PLUG DRAIN	2	
4	GASKET, DRAIN	2	
3	REAR COVER	1	
2	GASKET, BODY	1	
1	OUTER BODY	1	

 <p>PETROL INSTRUMENTS S.r.l. Via del Commercio, n. 22 - 04011 Aprilia (LT) - ITALY Phone +39-06-9201.941 a.r. - Fax +39-06-9201.9446 <a href="http://www.petrol-instruments.com">http://www.petrol-instruments.com</a> e-mail: <a href="mailto:info@petrol-instruments.com">info@petrol-instruments.com</a></p>		Mod.	Tag
Revisions	0 1 2 3 4	Date	Tag
Customer		DRN	APP
Order		Estimate	Drawing n. <b>M-M 004/</b>
Job		Our ref.	Sheet di

**"PETROL" STRAINERS MOD. 1 - 1AB  
EXPLODED VIEW DRAWING**



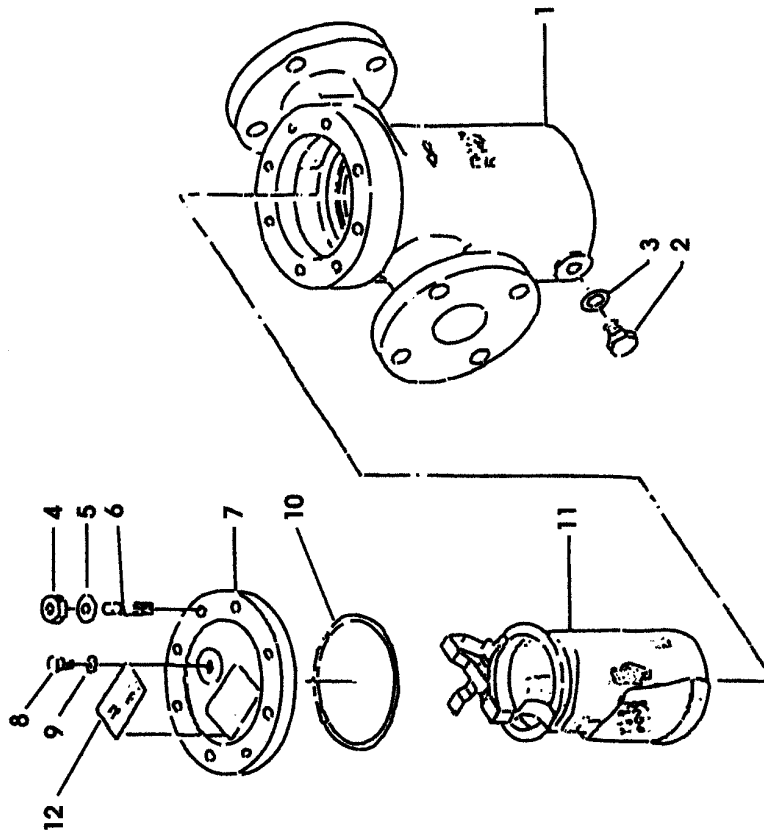
**PETROL®**

**PETROL INSTRUMENTS S.r.l.**  
Via del Commercio, n. 22 - 04011 Aprilia (LT) - ITALY  
Phone +39-06-9201.941 a.r. - Fax +39-06-9201.9446  
<http://www.petrol-instruments.com>  
e-mail: [info@petrol-instruments.com](mailto:info@petrol-instruments.com)

Mod.		tag	
Customer		Job	
Order	Appr.	Estimate n°	Drawing N°
Check	Date	Our. ref.	Sheet of
Tag			

PN	Description	Qty	Remark
12	NAME PLATE	1	
11	SCREENER	1	
10	GASKET BODY	1	
9	GASKET BLEED	1	
8	BOLT BLEED	1	
7	COVER	1	
6	STUD	6	
5	WASHER	6	
4	NUT	6	
3	GASKET DRAIN	1	
2	PLUG DRAIN	1	
1	BODY	1	

**FILTRO "PETROL" MOD. 2 - 2C - 3 - 4 - 4C  
VISTA ESPLOSA**



**PETROL**

PETROL INSTRUMENTS S.r.l.

Via del Commercio, n. 22 - 04011 Aprilia (LT) - ITALY  
Phone +39-06-9201.941 a.r. - Fax +39-06-9201.9446  
<http://www.petrol-instruments.com>  
e-mail: [info@petrol-instruments.com](mailto:info@petrol-instruments.com)

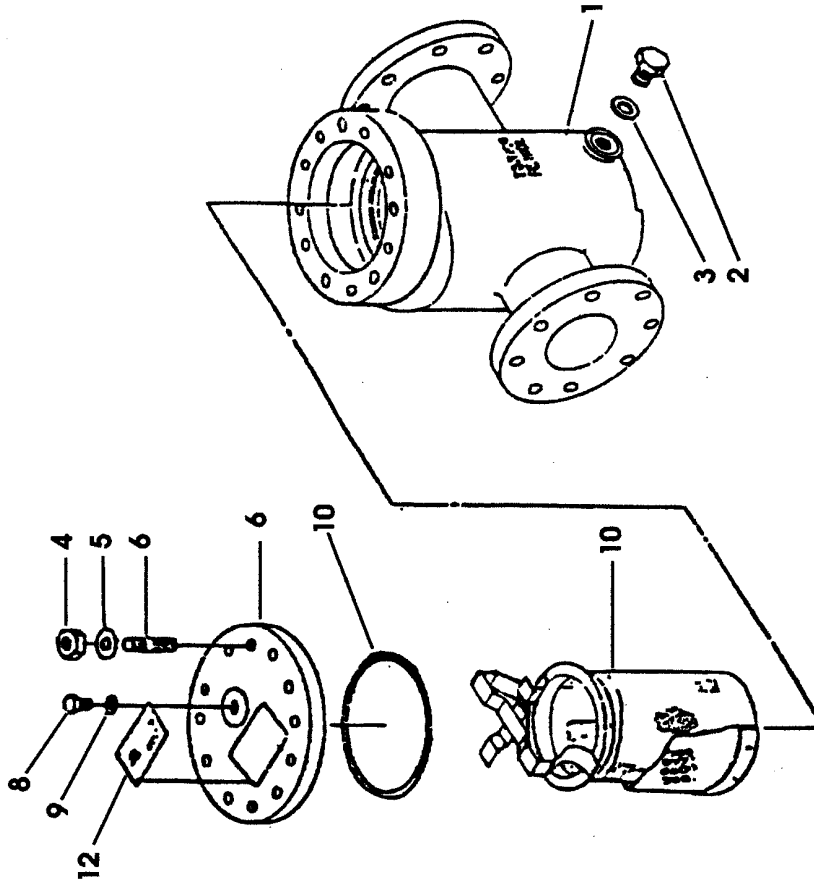
Revisión	0	1	2	3	4
Data					

Mod.						Signle
Ciliente	Ordine		Commissa			
	Compiato	Approvato	Offerta n°	Dis. n°		
Data				<b>F-F 002/</b>		
Signa			Ns. rif.	Foglio	di	


PN.	Descrizione	Qty.	Codice
12	TARGHETTA	1	
11	CESTELLO FILTRANTE	1	
10	GUARNIZIONE CORPO	1	
9	GUARNIZIONE DRENAGGIO	1	
8	TAPPO SFIATO	1	
7	COPERCHIO	1	
6	PRIGIONIERO	6	
5	RONDELLA ELASTICA	6	
4	DADO	6	
3	GUARNIZIONE DRENAGGIO	1	
2	TAPPO DRENAGGIO	1	
1	CORPO	1	



**"PETROL" STRAINERS MOD. 6 - 6H  
EXPLODED VIEW DRAWING**



P.N.	Description	Qty	Remark
12	NAME PLATE	1	
11	SCREENER	1	
10	GASKET BODY	1	
9	GASKET BLEED	1	
8	BOLT BLEED	1	
7	COVER	1	
6	STUD	6	
5	WASHER	6	
4	NUT	6	
3	GASKET DRAIN	1	
2	PLUG DRAIN	1	
1	BODY	1	

 <b>PETROL INSTRUMENTS S.r.l.</b> Via del Commercio, n. 22 - 04011 Aprilia (LT) - ITALY Phone +39-06-9201.941 r.a. - Fax +39-06-9201.9446 http://www.petrol-instruments.com e-mail: info@petrol-instruments.com		Mod. _____ Tag _____
Revisions 0 1 2 3 4 Date _____	Customer _____ Order _____ Estimate n° _____ Drawing n° <b>F-F 002/</b>	Job _____ Appr. _____ Our. ref. _____ Sheet _____ of _____